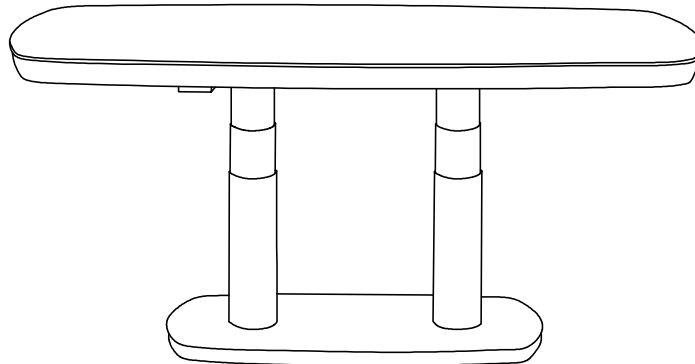


# Harbour Outdoor Lounge – Coffee Table

## Assembly Instructions



**IMPORTANT: Please read these assembly instructions carefully before beginning assembly. Retain for future reference. CAUTION: This product is heavy. Assemble with the assistance of another adult. Do not assemble in the presence of children.**

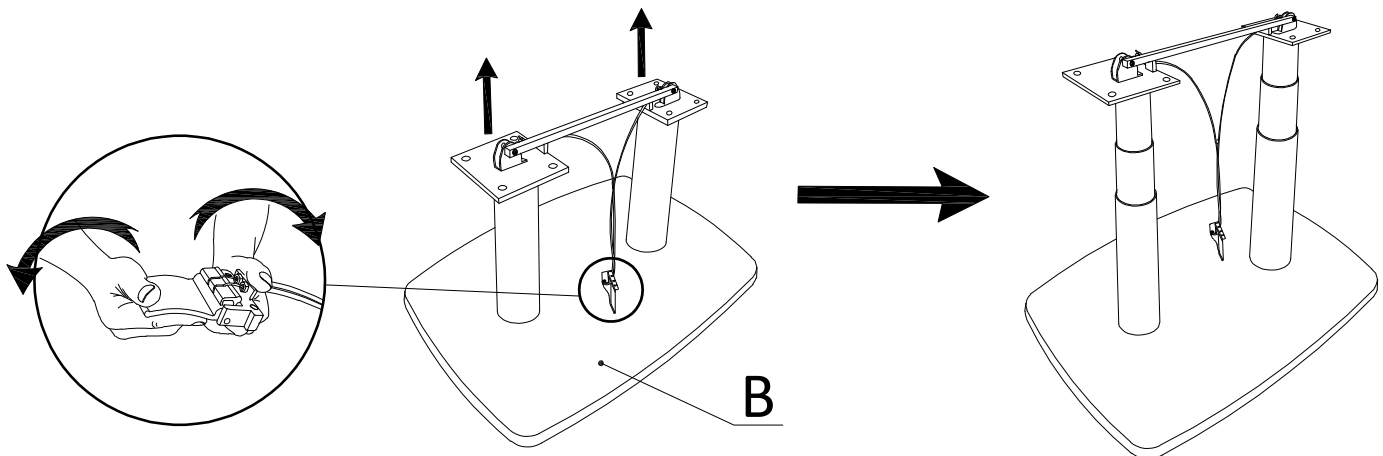


A (x1)	B (x1)	C (x8)	D (x10)	E (x1)	F (x1)

**Insert all bolts and loosely finger tighten first. Once all bolts are in place, re-visit each bolt and fully tighten with the provided tool(s). Do not fully tighten bolts one by one.**

- PLEASE SEPARATE AND IDENTIFY ALL PARTS, MAKING SURE THAT YOU HAVE ALL OF THE PARTS LISTED.
- TO AVOID ANY SCRATCHES DURING ASSEMBLY, PLEASE ASSEMBLE ON A SOFT MAT OR SIMILAR.
- PLEASE ASSEMBLE STEP BY STEP AND FOLLOW THE INSTRUCTIONS.
- WASHERS MUST BE USED WHERE SUPPLIED.
- WHILE EACH BOLT AND NUT IS PROPERLY FASTENED, DO NOT OVER FASTEN IT.
- DO NOT COMPLETELY FASTEN EACH BOLT AND NUT UNTIL ALL THE BOLTS ARE PROPERLY FIXED.

**1.** Release the lever mechanism on the table base (B). This will allow the extension mechanism to move freely.



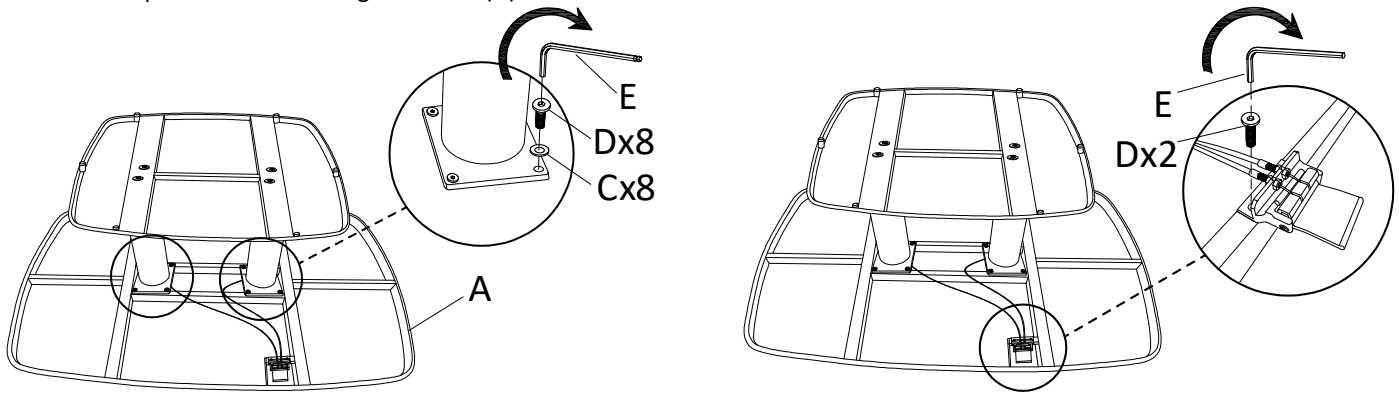
(continued next page)

# Harbour Outdoor Lounge – Coffee Table

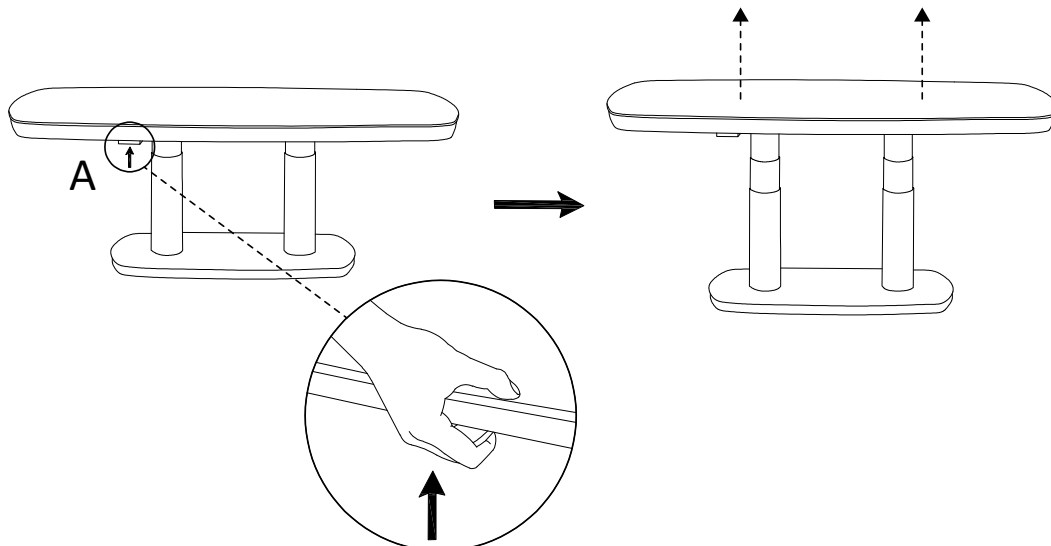
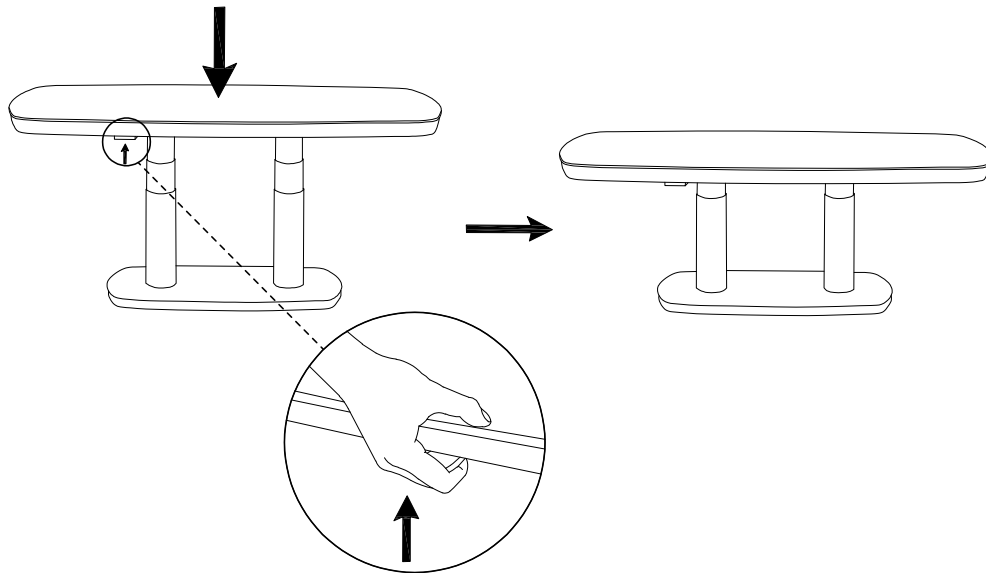
## Assembly Instructions



2. Using two adults, carefully turn the table top (A) over onto a soft, non-marking surface. Attach the table base (B) to the underside of the table top using the bolts (D) with a washer (C) each. Next, fix the lever mechanism to the underside of the table top with the remaining two bolts (D).



3. Again using two adults, carefully turn the completed table upright and lift into position (do not drag). To compress the extension mechanism, hold the lever and press the table top down. To extend the mechanism, hold the lever and allow the table to extend itself upwards automatically.



For care and maintenance tips please visit: [synargy.com/product-care](http://synargy.com/product-care)